

# **LABEL DAYS 2017: OPTIMISING LABEL PRODUCTION**

**27. - 29.  
June 2017**

Discover different solutions for completely automatic label-production and jogging requirements in our showroom. From jogging of sheets via air-expulsion and cutting towards banding, you will see systems, working hand-in-hand – for more effective, quicker and interlocking production processing.



# EPSILON LABEL-SYSTEM EPSILON

All companies, who process large cutting volumes of paper- or IML-labels need a fail-safe high-quality cutting solution. The BaumannWohlenberg Epsilon label system, in combination with an ATLAS 1110 made by BLUMER AG (Switzerland), is perfectly suited to meet these requirements.

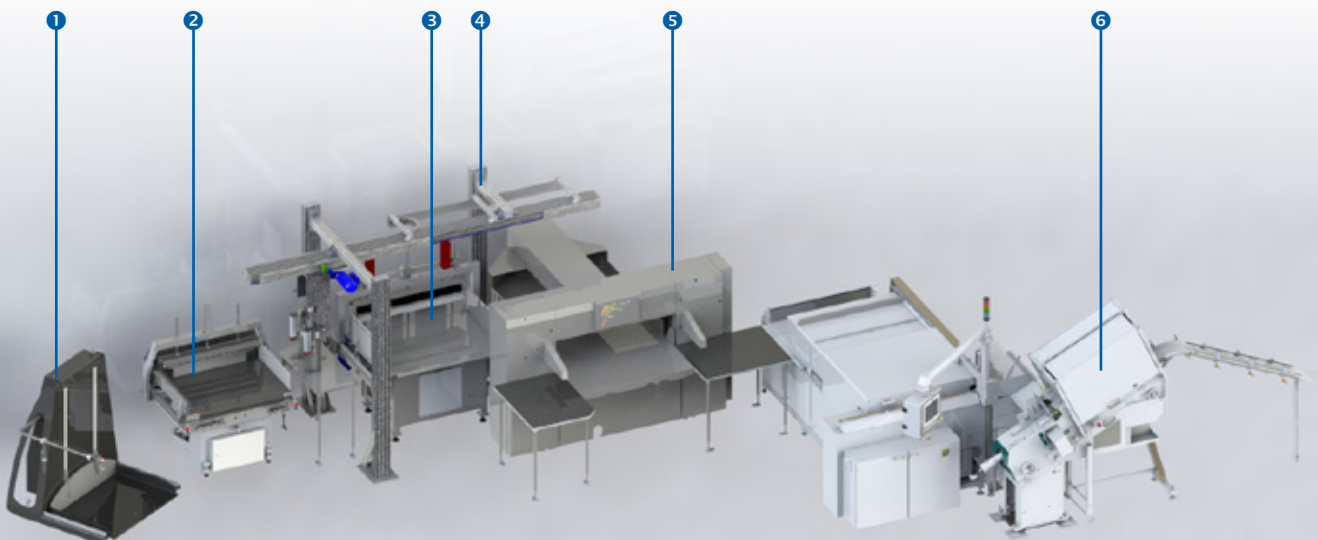
## COMPONENTS

- 1 Baumann BSH 3-1200 Pile Hoist**
- 2 BZW Scale Counter**  
Simultaneous jogging and counting.  
**Baumann BSB 3 L Automatic Jogger**  
**NEW** Increased inclination during the jogging process  
→ quicker preparation of an accurately aligned ream.
- 3 Baumann BPS 3 Pressing-Station**  
Removing the remaining air from between the sheets  
→ increased cutting-accuracy.
- 4 Baumann BFS Gripper Transport System**  
Automatic ream transfer from BSB 3 L towards BPS 3 and from BPS 3 towards the rear-table of the cutter.
- 5 Wohlenberg 132 High-Speed Cutter**  
Effective cutting process, automatic edge trim.  
**NEW** When producing labels, it used to be necessary to carry out a complete four-side-trim within the automatic cutter, before cutting the ream into strips. In combination with the new ATLAS 1110 from BLUMER this is no longer necessary.
- 6 ATLAS-1110** – Strip cutting, punching and banding labels.  
(© Blumer Maschinenbau AG).



## POSSIBLE LABEL FORMATS:

- from 25 x 45 mm
- to 170 x 215 mm





# OMEGA JOGGING SYSTEM

The Omega offline jogging system is a central jogging station, which is used for the offline material preparation of paper- or IML-labels. It can of course also be used for job printing works. The system works completely automatically.

## COMPONENTS

### 1 BASA 3

- Completely automatic destacking
- Completely automatic jogging process
- Completely automatic pile exchange
- Completely automatic rejection of the emptied pallet
- Counting unit (© GTS GmbH)

### 2 Cardboard-inserter

- Automatic insertion of intermediate cardboards
- A gripper transport system transfers the ream from the jogging-table to the alignment-table

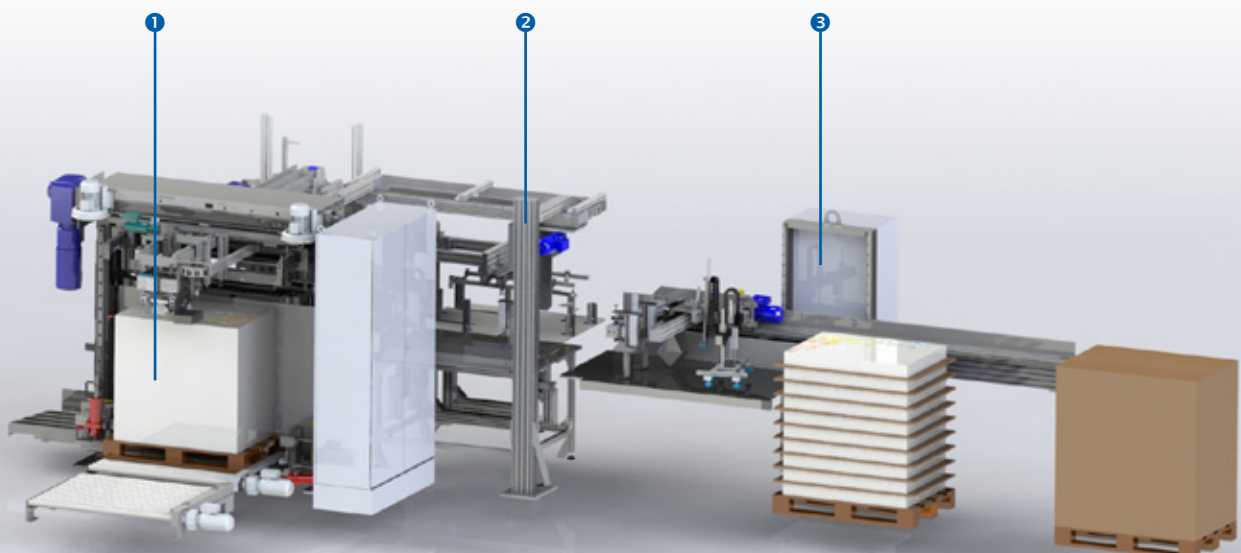
### 3 BA 3 Z Unloader (New Design) **NEW**

- Integrated gripper transport system
- Chip inserter / air-board inserter
- Accurate restacking of the jogged reams



## AVAILABLE FOR FORMATS:

- Up to 740 x 1070 mm

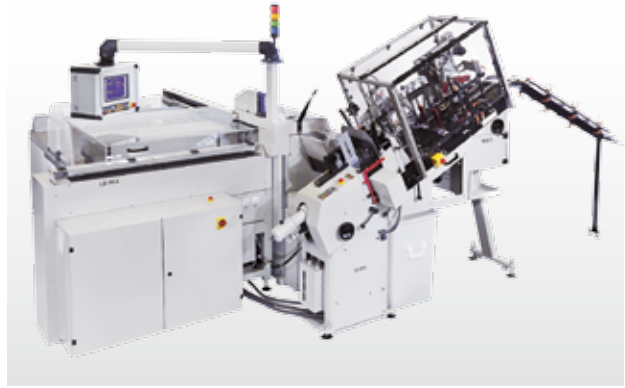


## BLUMER MASCHINENBAU AG

Blumer is a leading, and worldwide acting, technology provider for the finishing process of cut to stack labels and for a wide variety of cards. In our Swiss factory we develop state-of-the-art technology for the label and card industry, thereby meeting a wide range of needs.

**During the Open House, Blumer will show the latest version of an ATLAS-1110 LS label production line including the newly developed and patented "Gripper-Edge 1 & 2" features. These new gadgets will bring the label industry not only much closer to the completion of the vision of operator-free cut-to-stack label production, but also in reducing waste as well as guillotine time. On top of this, it improves the accuracy in a significant and steady manner.**

[www.blumerag.com](http://www.blumerag.com)



The ATLAS 1110 LS takes the strips, which have been cut on the BaumannWohlenberg cutting-line and turns them into packs of banded labels.

## STAMFAG AG

Since 1883 Stamfag AG has successfully produced a variety of ram-punch dies used in the process of manufacturing wet strength paper, aluminium- and synthetic materials-based labels; playing- and credit cards composed of a variety of substrates complement the portfolio of possibilities. Within these areas of expertise, Stamfag has evolved into being a globally acting leader.

**During the Open House, STAMFAG is going to show various punching dies for different applications, as well as newly developed punching dies, equipped with air-waste removal and control sensors**

[www.stamfag.ch](http://www.stamfag.ch)

# stamfag



Stamfag die-cutters

# COME AND SEE FOR YOURSELF! VISIT US DURING OUR LABEL DAYS 2017

27. – 29.06.2017

Registration or additional information at [www.baumann-mbs.de/openhouse](http://www.baumann-mbs.de/openhouse).

Send us an e-mail to [info@baumann-mbs.de](mailto:info@baumann-mbs.de) or give us a call under +49 (0)6442 9283-0.



**Baumann Maschinenbau Solms GmbH & Co. KG**  
Oberbieler Straße 1-3 • 35606 Solms-Niederbiehl • Germany  
Tel. +49 (0)6442 9283-0 • [www.baumann-mbs.de](http://www.baumann-mbs.de)